



SAIDEEP

Technology that lays the foundation of your dreams

Pneumatic Vibrators



Pneumatic Vibrators

SELECTION GUIDE FOR PNEUMATIC VIBRATOR

Pneumatic Vibrator Selection in 3 Simple Steps ...

1. Find the number of vibrators needed for your application ?

Determining the amount of vibrators needed for your application is dictated by the size and shape of your bin, hopper, chute or pipe as well as the type of material flow solution your application requires. Remember, industrial vibrators have a “radius of influence” that controls how much of the vessel and material they will affect. The larger the vessel, the more vibrators needed to effectively move the bulk material.

Your application type determines if you need to shake the entire vessel to promote material flow, clean out or clean off walls, or vibrate a single problem area to get something “unstuck.”

2. Find the strength of vibrator needed for your application ?

If you are trying to clean out, clean off or unstick bulk materials, the wall thickness of the vessel is the only factor you need to consider, as finding the force of the industrial vibrators is not needed to determine the best vibrator model for this application.

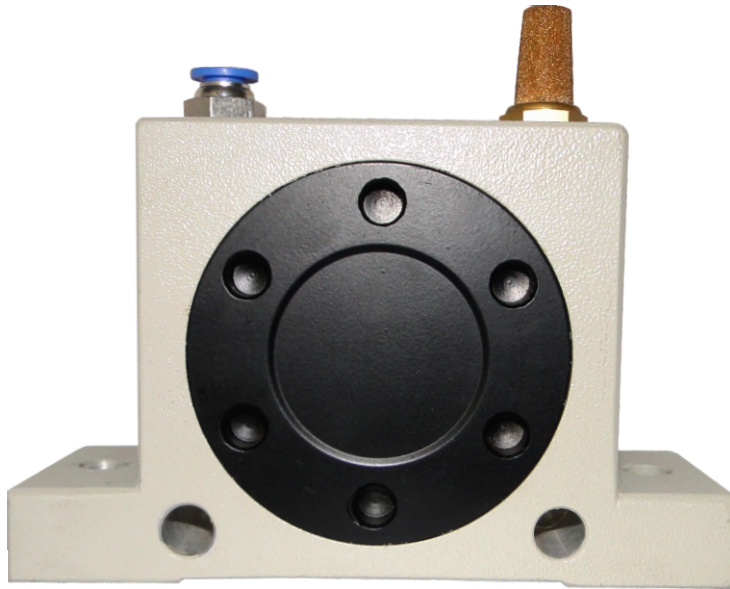
3. Find the best type of vibrator for your application ?

Now that you have found the number of vibrators and the strength needed for your application, you will discover there are multiple vibrator style options that best fit your application needs.

In this last step, you will choose the best selection based on power source requirements, noise and environmental concerns, material properties and application.

MATERIALS	DRY / LOOSE Grain, Coffee, Corn, Dry Powders, Pharmaceutical Powders, Flour, Confectionary, Spices, Powder Coating etc.						HUMID / WET / BULKY Cement, Concrete, Sugar, Wet Sand, Salt, Chemicals, detergents, Fly-Ash etc.		
	PNEUMATIC VIBRATOR SERIES (MM)	Ball Vibrator SPT Series	Roller Vibrator SPR Series	Turbine Vibrator SPGT Series	Spring Piston Vibrator SFP Series	Cushioned Linear Vibrator SK Series	Piston Hammer Vibrator NTP Series	Piston Vibrator SPI Series	Air Hammer SX Series
Noisy / Silent	Noisy	Noisy	Silent	Moderate	Moderate	Moderate	Noisy	Noisy	Noisy
Wall Thickness of Silo/Hopper (mm)	PNEUMATIC VIBRATOR MODEL								
= 1	SPT - 0	-	SPGT - 0	-	SK - 15	-	-	-	-
2	SPT - 1	SPR - 1	SPGT - 1	SFP - 12	SK - 15	NTP - 25	SPI - 0	SX - 30	SP - 25
3	SPT - 2	SPR - 2	SPGT - 2	SFP - 12	SK - 22	NTP - 25	SPI - 1	SX - 30	SP - 25
4	SPT - 3	SPR - 2	SPGT - 2	SFP - 18	SK - 22	NTP - 32	SPI - 1	SX - 40	SP - 40
5	SPT - 3	SPR - 3	SPGT - 3	SFP - 18	SK - 30	NTP - 32	SPI - 2	SX - 40	SP - 40
6	SPT - 4	SPR - 3	SPGT - 3	SFP - 25	SK - 30	NTP - 32	SPI - 2	SX - 60	SP - 40
7	SPT - 4	SPR - 4	SPGT - 4	SFP - 35	SK - 45	NTP - 48	SPI - 3	SX - 60	SP - 60
8	SPT - 4	SPR - 4	SPGT - 4	SFP - 35	SK - 45	NTP - 48	SPI - 3	SX - 80	SP - 60
9	-	SPR - 5	-	-	SK - 60	-	SPI - 4	SX - 80	SP - 60
10	-	SPR - 5	-	-	SK - 60	-	SPI - 4	SX - 80	SP - 60
11	-	-	-	-	SK - 60	-	SPI - 4	-	-
12	-	-	-	-	SK - 60	-	SPI - 4	-	-

SPT PNEUMATIC BALL VIBRATORS

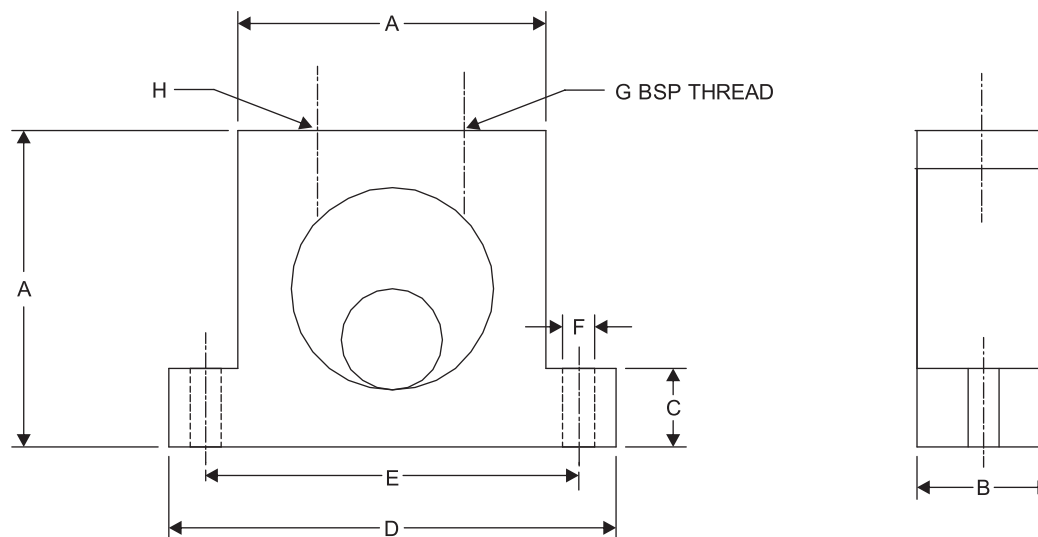


Properties :

- Powerful
- Rated frequency 8200 - 31,000 rpm
- Centrifugal force 260 - 3750 N
- Continuously variable
- Can be used up to 200°C

Application :

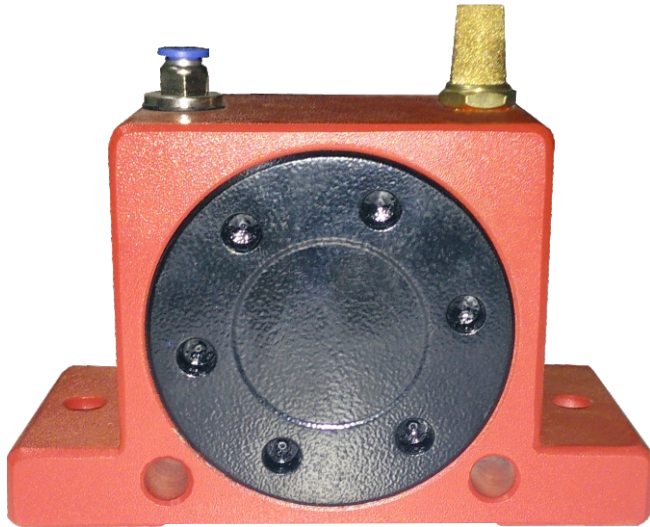
- Emptying of bunkers
- Screen filters
- Vibrating tables
- Preventing adhesions in pipelines and silos
- Moving of goods



Model	Centrif. Force N			Frequency VPM			Air Consumption LPM			Dimensions								Weight
	2 bar	4 bar	6 bar	2 bar	4 bar	6 bar	2 bar	4 bar	6 bar	A	B	C	D	E	F	G	H	
										mm	mm	mm	mm	mm	mm	BSP	BSP	kg.
SPT-0	130	260	360	25500	31000	35000	83	145	195	50	22	12	86	68	7	1/8"	1/8"	0.15
SPT-1	450	800	1100	13000	17000	19500	122	200	280	65	30	16	113	90	9	1/4"	1/4"	0.35
SPT-2	930	1570	2050	9200	12200	14000	160	290	425	80	38	16	128	104	9	1/4"	1/4"	0.7
SPT-3	2060	3150	4050	7300	9000	10000	260	450	625	100	50	20	160	130	11	3/8"	3/8"	1.3
SPT-4	2450	3750	4880	6800	8200	9100	300	500	750	120	54	32	180	150	13	3/8"	3/8"	2.5

Pneumatic Vibrators

SPGT PNEUMATIC TURBINE VIBRATOR

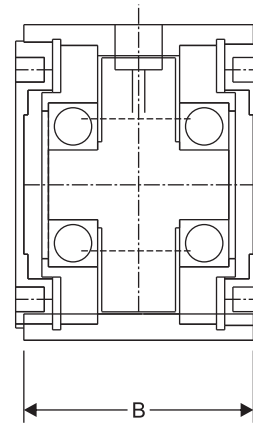
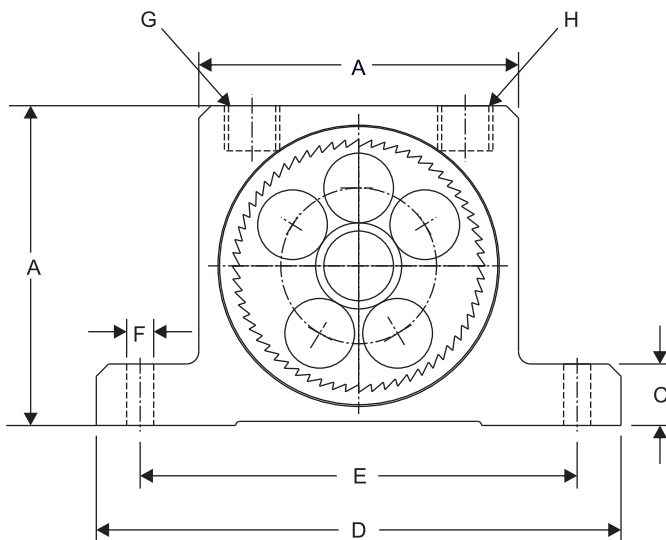


Properties

- Rated frequency 8,500 - 42,000 rpm
- Centrifugal force 2000 - 7250 N
- Continuously variable
- Can be used up to 200°C
- Resistant to extreme environmental conditions

Application

- Emptying of bunkers
- Screen filters
- Vibrating tables
- Preventing adhesions in pipelines and silos
- Transporting of fine powders
- Moving of bulk material



Model	Centrif. Force N			Frequency VPM			Air Consumption LPM			Dimensions								
	2 bar	4 bar	6 bar	2 bar	4 bar	6 bar	2 bar	4 bar	6 bar	A	B	C	D	E	F	G	H	Weight
	mm	mm	mm	mm	mm	mm	mm	mm	mm	mm	mm	mm	mm	mm	mm	BSP	BSP	kg.
SPGT-0	1000	2050	2900	36000	42000	46000	46	80	112	50	33	12	86	68	7	1/8"	1/8"	0.25
SPGT-1	1400	2450	3700	26000	30000	33000	120	200	300	65	42	16	113	90	9	1/4"	1/4"	0.6
SPGT-2	2170	3500	5000	12000	15000	17000	185	325	455	80	34	16	128	104	9	1/4"	1/4"	1
SPGT-3	2500	4200	5900	10000	12500	14000	250	425	595	80	56	16	128	104	9	1/4"	1/4"	1.15
SPGT-4	3380	5425	7500	8000	10000	13000	330	530	750	100	73	20	160	130	11	3/8"	3/8"	2.3
SPGT-5	4500	7250	9750	7750	8800	9500	425	700	975	120	83	24	194	152	17	3/8"	3/8"	3.8

SPR PNEUMATIC ROLLER VIBRATOR

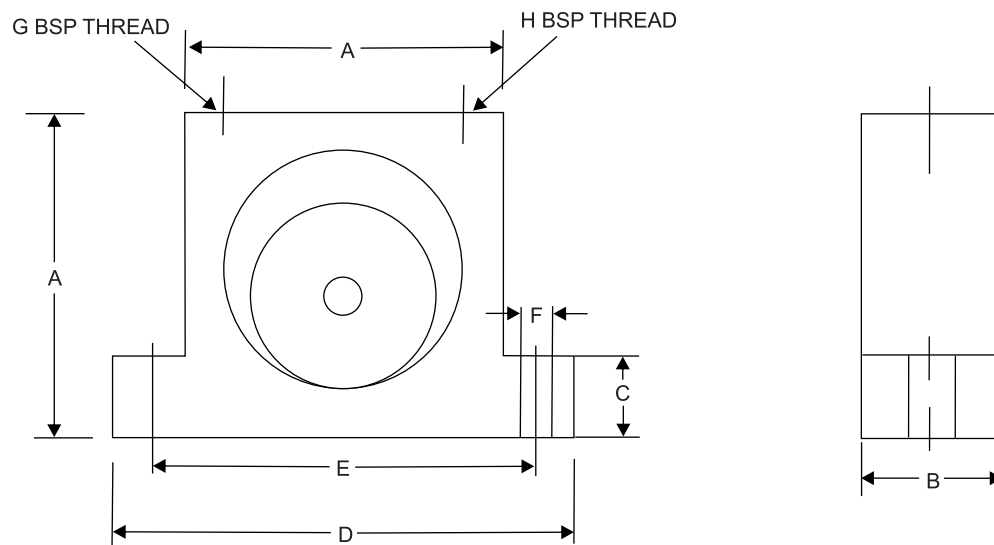


Properties :

- High torque
- Rated frequency 11,500 - 35, 000 rpm
- Centrifugal 2,920 - 10,000 N
- Continuously variable
- Can be used up to 200°C
- Resistant to extreme environmental conditions

Application :

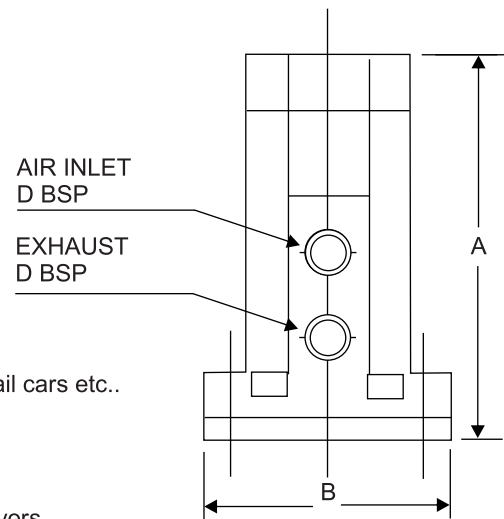
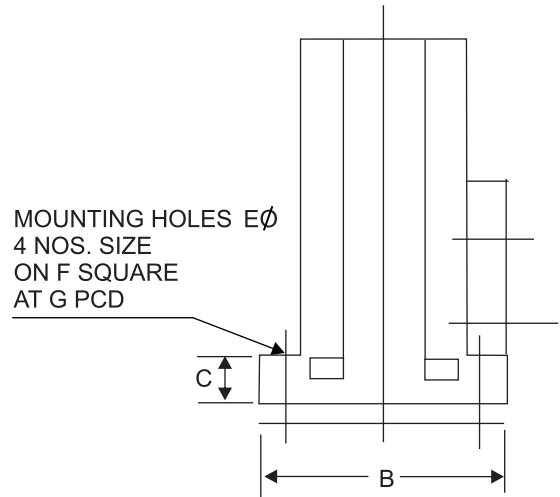
- Emptying of hoppers and chutes
- Screen filters
- Conveying of particulates
- Preventing adhesions in pipelines and silos
- Transporting of fine powders
- Compacting of plastic and concrete in throughs



Model	Centrif. Force N			Frequency VPM			Air Consumption LPM			Dimensions								
	2 bar	4 bar	6 bar	2 bar	4 bar	6 bar	2 bar	4 bar	6 bar	A	B	C	D	E	F	G	H	Weight
										mm	mm	mm	mm	mm	mm	BSP	BSP	kg.
SPR-1	1070	2920	4220	25000	35000	36000	100	145	195	50	29	12	86	68	7	1/8"	1/8"	0.25
SPR-2	2730	4830	6120	19000	21000	26000	200	300	400	65	37	16	113	90	9	1/4"	1/4"	0.6
SPR-3	3000	6090	7450	15500	18500	19000	290	430	570	80	43	16	128	104	9	1/4"	1/4"	1
SPR-4	3750	6750	8900	11000	14000	16000	370	550	730	100	52	20	160	130	11	3/8"	3/8"	1.85
SPR-5	8000	10000	12500	10000	11500	12500	500	730	970	120	77	24	194	152	17	3/8"	3/8"	4.3

Pneumatic Vibrators

SPI PNEUMATIC PISTON VIBRATOR



Benefits :

- Maintenance free
- Cost effective
- Unaffected by dust, dirt, moisture and even splashing water
- Self cooling - suitable even for hot ambient.

Applications :

- Dislodging materials sticking & clinging to walls of storage containers, cyclone separators, bag house hoppers.
- Promoting material discharge from tote bins, bulk tankers, bottom discharge rail cars etc..
- Clearing clogged pneumatic conveying lines.
- Imparting vibrations to moulds & containers for material compaction, densification and settling and help reduce packaging cost.
- As pneumatic hammers for making or breaking assemblies.
- Unlocking bottles, cans, caps and similar objects on or in their vibrating conveyors, tracks and vibrating feed cages.
- Vibrating funnels to hasten material transfer in to narrow necked pharma & cosmetic containers.
- Driving small screens for separation & grading and vibratory test & material settling / densification tables.

Model	Centrif. Force N			Frequency VPM			Air Consumption LPM			Dimensions							
	2 bar	4 bar	6 bar	2 bar	4 bar	6 bar	2 bar	4 bar	6 bar	A	B	C	D	E	F	G	Weight
	mm	mm	mm	mm	mm	mm	mm	mm	mm	mm	mm	mm	BSP	mm	mm	mm	kg.
SPI-0	2070	3450	4800	4250	5000	5750	100	175	250	89	55	17	1/8"	9	40	56	1.3
SPI-1	4200	7000	9750	4000	4700	5400	170	280	400	110	70	20	1/4"	12	50	71	2.5
SPI-2	7890	13150	18500	3100	3700	4250	250	410	575	139	80	25	1/4"	13	60	85	4.7
SPI-3	12250	20500	28500	2375	2800	3220	325	535	750	172	110	30	3/8"	13	75	108	9
SPI-4	19250	32200	45000	1750	2050	2350	400	660	925	215	135	40	3/8"	21	95	135	16

SK CUSHIONED LINEAR VIBRATOR

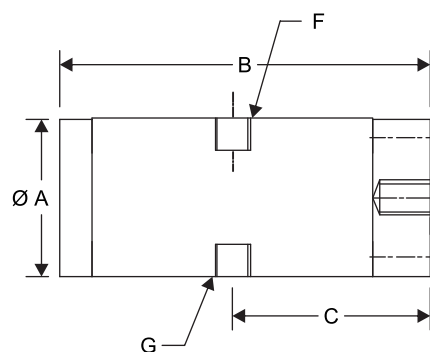
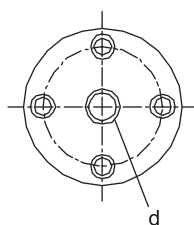


Fig.1

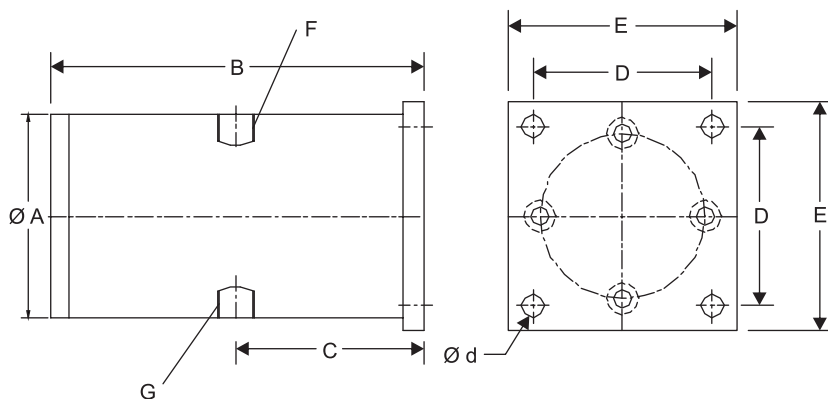


Fig.2

Benefits :

- Silent operation
- Clean, lightweight design
- Easy fitting retrofitting

Application :

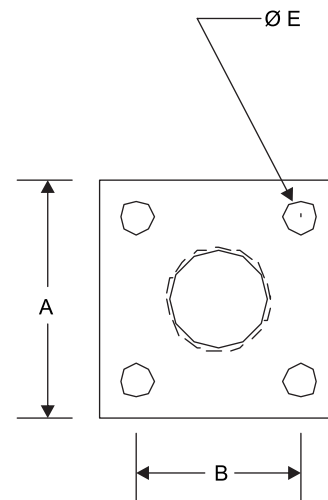
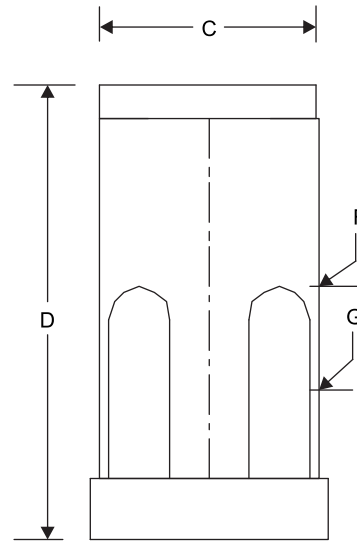
- Equipment for Handling of Biomass for Combustion
- Past Processing Plant Equipment
- Plastics Processing Plant Equipment
- Sheet Metal Cutting Machine Accessory Equipment
- Sugar Processing Plant Equipment

Model	Centrif. Force N			Frequency VPM			Air Consumption LPM			Dimensions									
	2 Bar	4 Bar	6 Bar	2 Bar	4 Bar	6 Bar	2 bar	4 bar	6 bar	A	B	C	D	E	F	G	d	Weight	Fig.
										mm	mm	mm	mm	mm	mm			kg.	
SK-15	35	60	85	5610	6600	7600	10	15	20	32	70	37	**	**	M5	1/8"	M8	0.18	1
SK-22	85	140	195	3400	4000	4600	35	50	70	45	105	56	**	**	1/8"BSP	1/8"	M10	0.52	1
SK-30	150	245	340	2930	3450	3900	55	90	125	60	115	62	**	**	1/4"BSP	1/4"	M12	1.05	1
SK-45	410	685	960	2200	2600	3000	75	125	175	80	150	78	72	90	1/4"BSP	3/8"	Ø8.5	2.86	2
SK-60	660	1100	1540	1450	1700	1950	75	125	175	115	225	115	102	130	1/2"BSP	1/2"	Ø13	7.5	2

• Temperature Implication upto 150° C • Explosion Proof and Maintenance Free • Adjustable Frequency and Amplitude • Minimum sound/Low Air consumption

Pneumatic Vibrators

NTP PISTON TYPE HAMMER



Properties :

- High impact frequency 1,350 - 4,600 vpm
- High power range 195 - 56,350 N
- Lubrication-free can be used up to 120°C
- Can be used in a dusty environments

Application :

For foodstuffs and pharmaceuticals, complies with FDA specifications Knocking off adhering material on chutes, silos and filter outlets.

Model	Dimensions										
	A	B	C	D	E	F	G	Torque	Air Consum.	Impact	Weight
	mm	mm	mm	mm	mm	BSP	BSP	kg/cm	LPM	kg.	kg.
NTP-25	60	45	57	93	7	1/8"	1/8"	80-1000	1.1	150-1900	0.78
NTP-32	75	51	68	143	11	1/4"	1/8"	150-2500	1.7	140-2800	1.65
NTP-48	100	78	92	192	13	3/8"	3/8	150-4500	3.3	130-5700	4.20

SP PISTON IMPACT VIBRATOR



Properties

- Continuous Duty
- Working temperature : 20 °C to 110 °C
- Noise : Approx 100 dB
- MOC : Cast Iron Body (Power Painted)
- Aluminium cover

Application

- Cement & Concrete
- Sugar
- Wet Sand
- Salt
- Chemicals & Minerals
- Detergents
- Fly-Ash

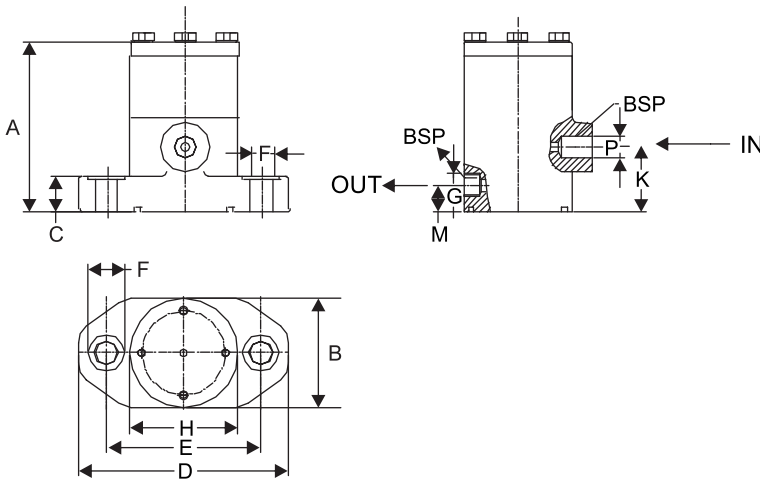


Fig. 1

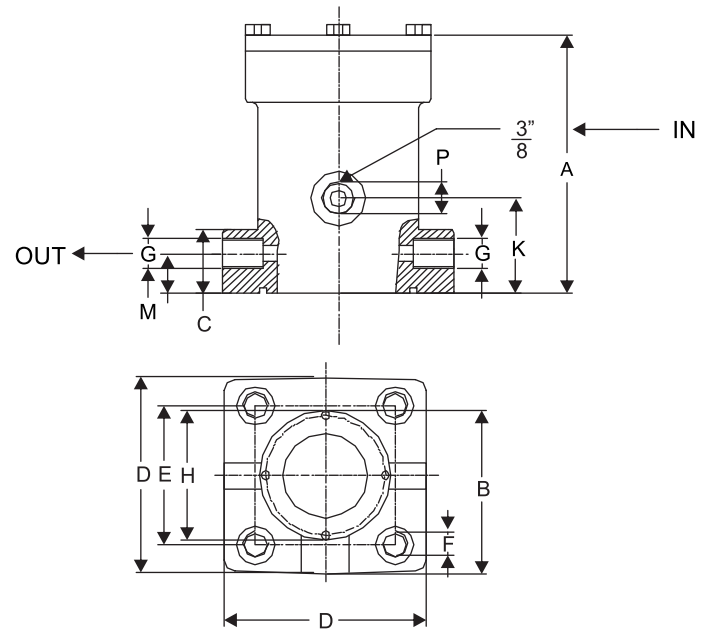
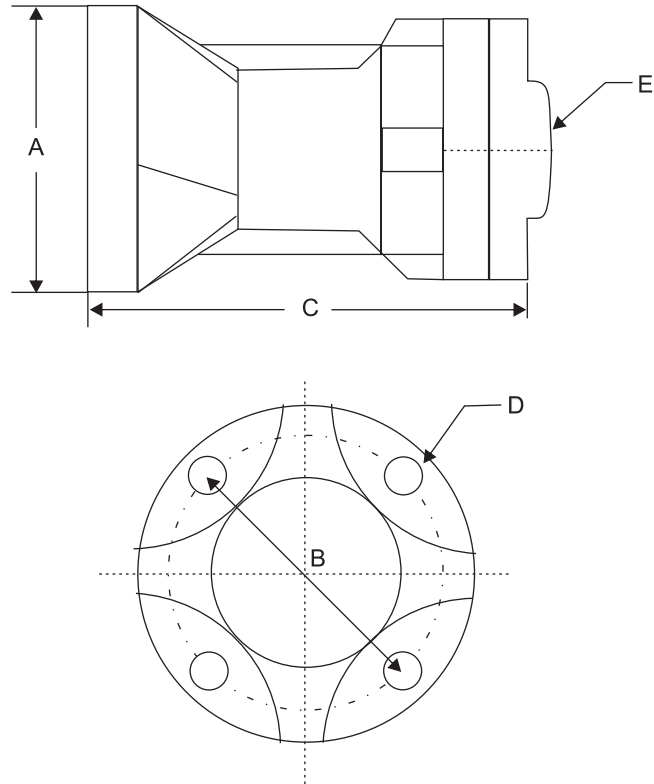


Fig. 2

Model	Fig.	Centrif. Force N			Frequency VPM			Working Moment Kg*cm			Air consumption LPM	Dimensions											
		2 bar	4 bar	6 bar	2 bar	4 bar	6 bar	2 bar	4 bar	6 bar		A	B	C	D	E	F	G	K	P	L	M	Weight
												mm	mm	mm	mm	mm	mm	33	mm	mm	mm	kg	
SP-25	1	294	680	954	2500	3800	4500	0.43	0.43	0.43	200	92	70	22	115	85	13	1/4"	30	1/4"	25	10.5	2.2
SP-40	1	484	860	1396	1650	2200	2800	1.63	1.63	1.63	250	121	91	24	148	110	16.5	3/8"	45	3/8"	35	16	4.5
SP-60	2	1296	2304	3250	1200	1600	1900	4.11	4.11	4.11	400	163	125	28	138 x 14 2	99 x 99	17	2x1/2"	60	1/2"	60	27	11

Pneumatic Vibrators

SX AIR HAMMER

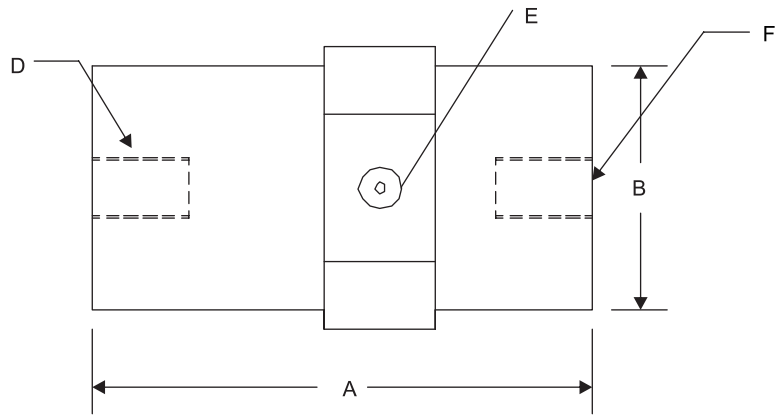
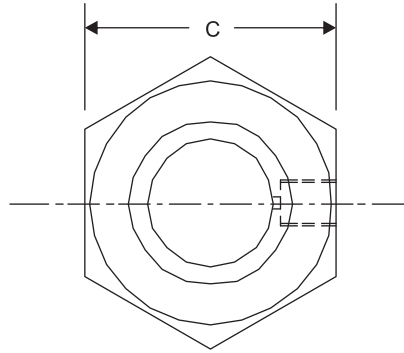


Features

- Highly strengthened aluminum body
- Low frequency / continuous impact model, sudden activation / deactivation is allowed
- Frequency and amplitude of impact can be adjusted as required
- Direct impact onto target object to produce the optimum vibration feedback.

Model	Dimensions								
	A	B	C	D	E	Pressure	Air Consum.	Impact	Weight
	mm	mm	mm	mm	BSP	kgf/cm ²	LPM	kg.	kg.
SX-30	82	67	135	9	1/4"	3 ~ 7	0.028	~ 0.75	1.1
SX-40	98	77	175	11	1/4"	3 ~ 7	0.082	~ 2.2	1.8
SX-60	143	110	220	12.5	1/4"	3 ~ 7	0.228	~ 7.4	5.3
SX-80	170	140	275	17	3/8"	4 ~ 5	0.455	~ 16.4	6.5

SFP SPRING TYPE PISTON VIBRATOR



Properties :

- Quiet and efficient
- Rated frequency 4000 - 6000 vpm
- Force 58 - 778 N
- Continuously variable
- Can be used up to 150°C
- Resistant to extreme environmental conditions

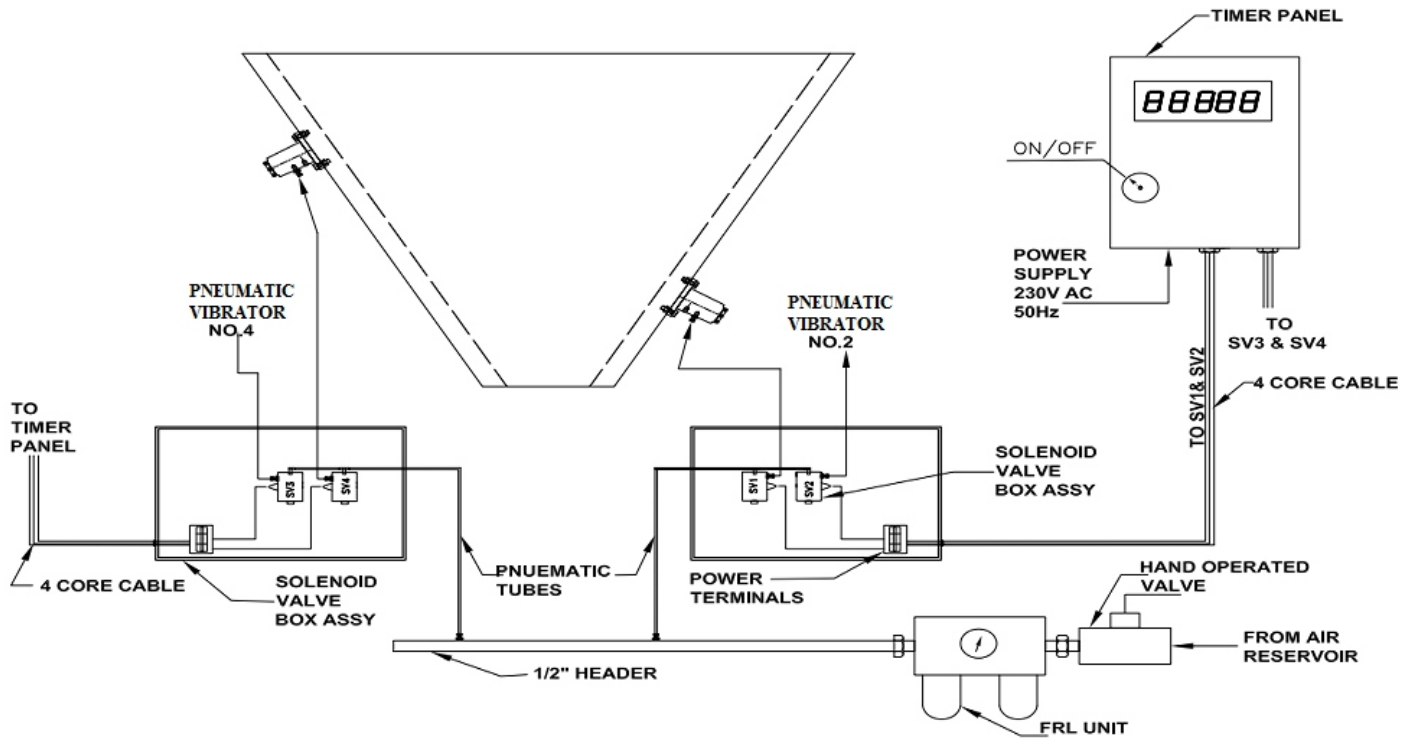
Application :

- Driving conveyor and discharge chutes
- Loosening or compacting of bulk materials
- Filling facilities

Model	Centrif. Force N			Frequency VPM			Air Consumption LPM			Dimensions						
	2 bar	4 Bar	6 Bar	2 Bar	4 Bar	6 Bar	2 Bar	4 Bar	6 Bar	A	B	C	D	E	F	Weight
	mm	mm	mm	mm	mm	mm	mm	mm	mm	mm	mm	mm	mm	mm	BSP	kg.
SFP-12	34	58	74	5000	6000	6700	0.5	4	19	81	31	34	M8	1/8"	1/8"	0.17
SFP-18	68	134	188	4000	5000	5900	4	28	52	94	40	42	M10	1/8"	1/8"	0.35
SFP-25	142	364	504	3000	3800	4200	23	50	87	99	48	50	M12	1/8"	1/8"	0.53
SFP-35	248	778	1080	3000	4000	4600	24	83	141	109	63	65	M12	1/4"	1/4"	1.05

Pneumatic Vibrators

PNEUMATIC VIBRATOR CONNECTION DIAGRAM



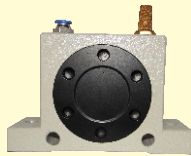
Our other products



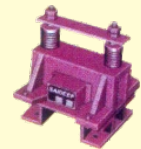
Vibrating Motor



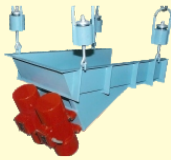
Pneumatic Vibrators



Vibrating Screen



Vibrating Conveyors / Feeders



Bin Activator



Pipe Magnet



Hump Magnet



SAIDEEP

Technology that lays the foundation of your dreams

Office : A-11, Laghu Udyog Kendra, I. B. Patel Road, Goregaon (East), Mumbai - 400 063.
 Phones : (022) 2685 5799 / 2685 5843 • Mobile : 9867024201
 Email : sales@saideeponline.com / saideep55@yahoo.com
 Website : www.saideeponline.com

Factory : Plot No. 17 & 18, The Palghar Taluka Inds. Co-op. Estate Ltd.,
 Palghar Boisar road, Palghar (West) 401 404.

